

DRILLING RIG INVENTORY

Rig Number: 184

Make & Model: WILSON
Type: Model 75
Maximum Depth Rating with 4-1/2" 16.6 ppf Drill pipe: 10,000 FT
Rotary Drive: Type and Size, Speed Range (rpm): 20 1/2 IDECO 0-150 RPM
Approximate number of loads to move rig: 18

Drawworks:

Main Drum:
Hydromatic Brake: V80 Cable Size: 1 1/8 Number of Clutches: 2
Make & Model: Wilson ATD-230

Sand Drum: N/A Cable Size: N/A Cable Length: N/A

Engines: Make & Model: DETROIT DIESEL (2) – 12V71N (500 HP EACH)

Derrick:

Manufacturer: WILSON Height: 110' Weight Capacity: 354,000
Maximum Number of Lines: 8 Last Inspection Date: 01/30/2005

Swivel:

Manufacturer: IDECO Description: IDECO TL-200
Capacity: 200 TON

Pipe & Kelly Spinner:

Manufacturer: HAWK Model: PIPE SPINNERS Model # 950H - hydraulic

Substructure:

Height and Capacity: 12' 6" 450,000lb.
Height above base of substructure to underside of rotary beams: 11' 3"
Windbreak on substructure: X Yes No

Traveling Blocks:

Make & Model: IDECO-UTB-160 Weight Capacity: 160 TON Number of Lines: 8

Elevators: Make & Model: 4 1/2, 3 1/2 WOOLLEY TOOL

Catwalk: Length & Height: 54" X 42'

Pipe Racks: Length & Height: 4 sets 54" x 30'

Drill Pipe: Size, Amounts, Connections, Grade: 3 1/2 IF / 13.3 # PER FOOT OR 4 1/2 XO / 16.6 # PER FOOT
Last inspection date & footage since last inspected: CURRENT

Drill Collars: (Minimum quantity required for running manufactures maximum weight on bit for each hole size)
Size (O.D. x I.D.): 4 3/4 x 2" or 6 1/2 x 2 1/4" Number: 20 EACH SIZE
Last inspection date & footage since last inspected: CURRENT

Pumps: Make, Model, Input HP: 2 – GARDNER DENVER PZ-8 (2)
Engine Make & Model: 3508 CAT & 3508 CAT 1,000HP
Liner Size and Stroke Length: 6 X 8
Max. Continuous Operating Pressure: 2000
Pump Speed (spm): 120

Steel Mud Pit:

Dimensions: 5' TALL X 10' WIDE X 50' LONG Capacity: 450 BBLS Number of Compartments: 5
Shale Shaker Make & Model: DERRICK 503 Flow Line Cleaner
Charge Pump Make & Model: 1 CHARGE PUMP, MIXING PUMP, DESANDER PUMP 4x5 MISSION

BOP's: Make & Model: TOWNSEND HYDRAULIC DOUBLE GATE Size: 11"
Pressure Rating: 3000 Date of Last Inspection: CURRENT

Rotating Head: Make & Model: WILLIAMS ROTATING HEAD
Estimated cost for stripping rubber: \$1350.00

Accumulator:

Make & Model: TOWNSEND
Capacity of Hydraulic Fluid: 250
Number of Stations: 6 Number of Pressure Bottles: 8
Hydraulic Pressure Source: ELECTRIC MOTOR
Electric Motor: YES
Gas/Diesel Engine: NO
Air/Hydraulic Pump: YES
Date of Last Inspection: CURRENT

Choke Manifold:

Valves:
Make & Model: WKM 3"
Pressure Rating & Size: 3000
Date of Last Inspection: CURRENT
Chokes:
Make & Model: 2" CHOKE Type: Adjustable
Pressure Rating & Size: 2 / 3000
Date of Last Inspection: CURRENT

Light Plant:

Voltage, Amperage, Watts: 480 – 250KVA
Engine Make & Model: DETROIT SERIES 60

Drilling Recorder:

Make & Model: PASON EDR (electronic drilling recorder)
Chart Type: 12 Hour X 24 Hour

Mud Pit:

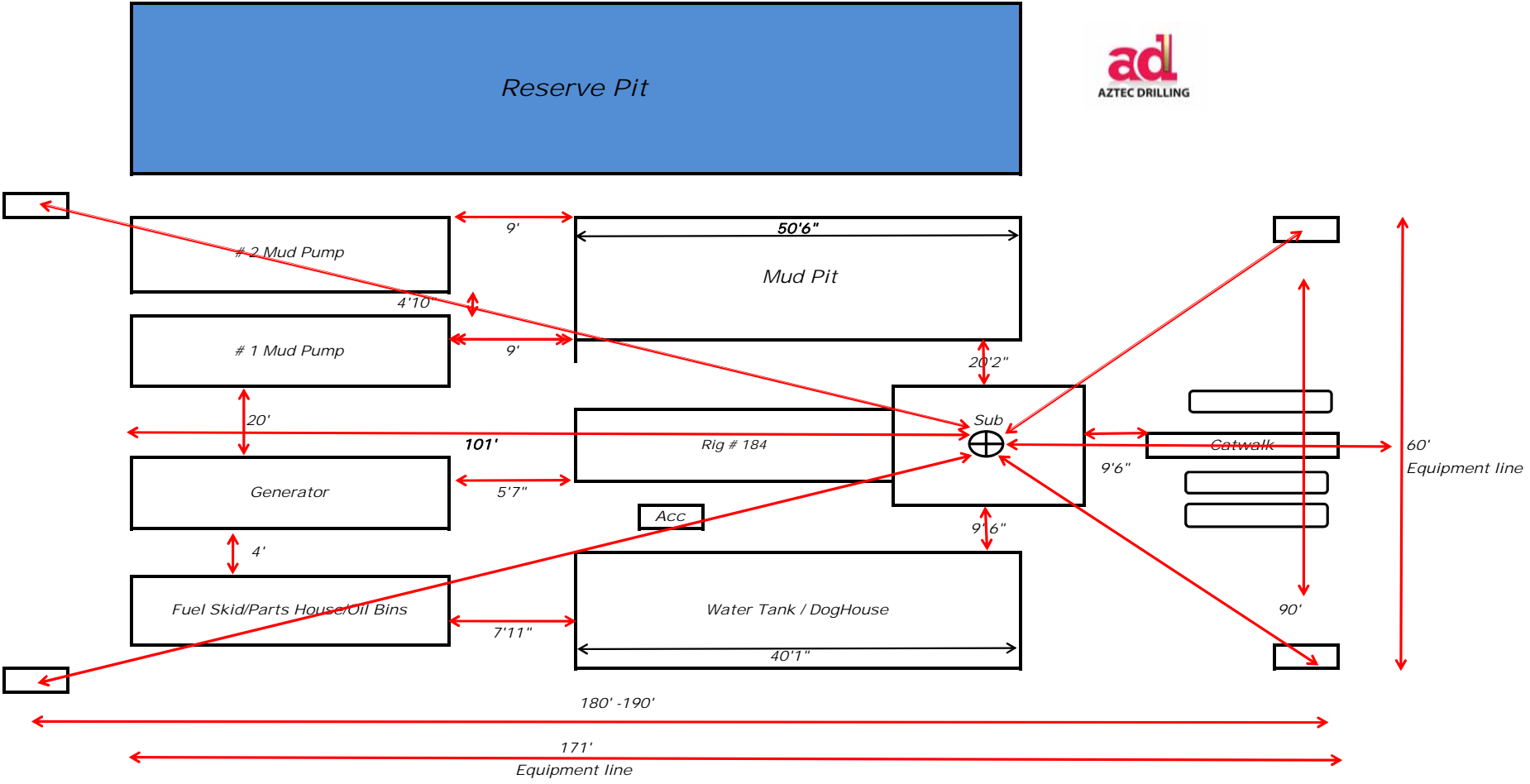
Charge pump Type: Mission Size: 4X5
RPM: 1200 Impeller size: 12"

Hopper Pump Type: Mission Size: 4X5
RPM: 1800 Impeller size: 10 1/2"

Other Type: Mission Size: 5X6
RPM: 1800 Impeller size: 10 1/2"

Desilter Type: 8 Cones

Desilter Pump Type: Mission Size: 5X6
RPM: 1800 Impeller size: 11"



Rig 184 Foot Print